

PORTAVALIGIE LATERALE SPECIFICO - SPECIFIC TUBULAR SIDE-CASE HOLDER
 PORTE-VALISES LATÉRAUX SPÉCIFIQUE - SPEZIFISCHES STAHLROHR-SEITENTRAEGER
 PORTA MALETAS LATERALES ESPECÍFICO

BMW F650/800GS '08

ISTRUZIONI DI MONTAGGIO - MOUNTING INSTRUCTIONS
 INSTRUCTIONS DE MONTAGE - BAUANLEITUNG - INSTRUCCIONES DE MONTAJE

①

SUPPORTO
 SUPPORT
 HALTERUNG
 SOPORTE

Q.TY n.2(Dx-Sx)

②

PONTE POSTERIORE
 REAR BRIDGE
 PONT POSTÉRIEURE
 VERBINDERGROHR
 PUENTE TRASERO

Q.TY n.1


③



VITE TCEI M6x16mm
 SCREW M6x16mm
 VIS M6x16mm
 SCHRAUBE M6x16mm
 TORNILLO M6x16mm

Q.TY n.2


④



VITE TEF M8x20mm
 SCREW M8x20mm
 VIS M8x20mm
 SCHRAUBE M8x20mm
 TORNILLO M8x20mm

Q.TY n.2

⑤



VITE TEF M8x25mm
 SCREW M8x25mm
 VIS M8x25mm
 SCHRAUBE M8x25mm
 TORNILLO M8x25mm

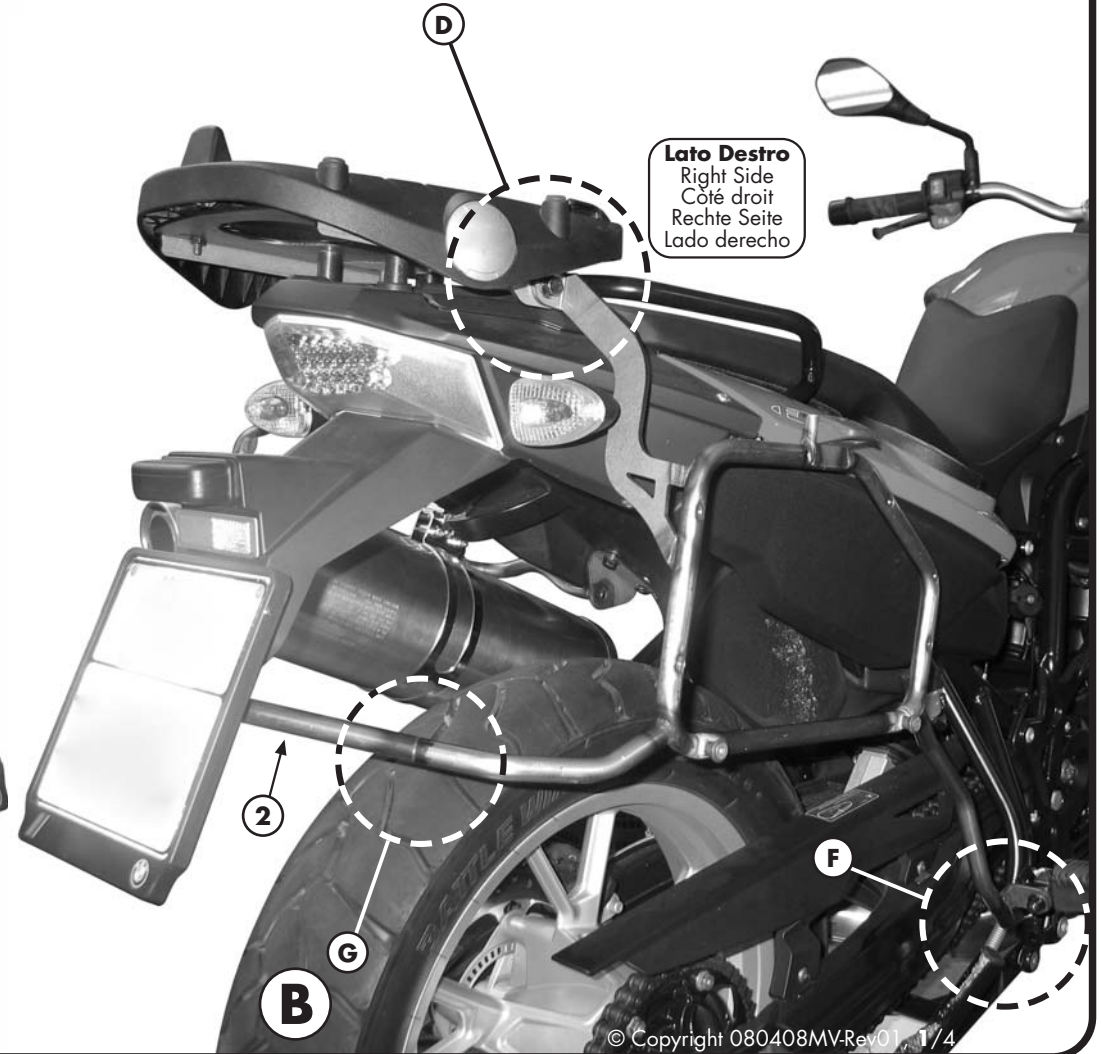
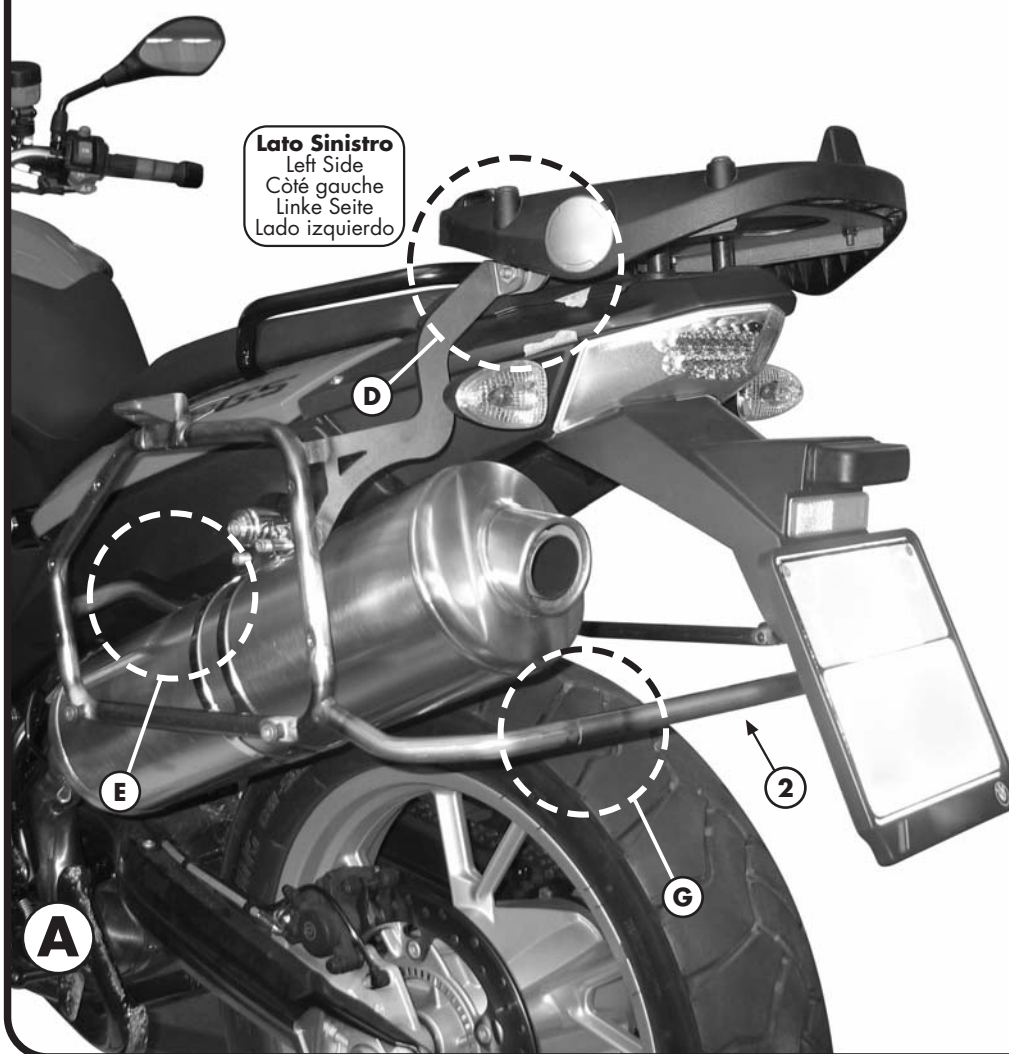
Q.TY n.2

⑥



VITE TBEI M8x55mm
 SCREW M8x55mm
 VIS M8x55mm
 SCHRAUBE M8x55mm
 TORNILLO M8x55mm

Q.TY n.1



PL690 - KL690

PORTAVALIGIE LATERALE SPECIFICO - SPECIFIC TUBULAR SIDE-CASE HOLDER
PORTE-VALISES LATÉRAUX SPÉCIFIQUE - SPEZIFISCHES STAHLROHR-SEITENTRÄGER
PORTA MALETAS LATERALES ESPECIFICO

BMW F650/800GS '08

ISTRUZIONI DI MONTAGGIO - MOUNTING INSTRUCTIONS
INSTRUCTIONS DE MONTAGE - BAUANLEITUNG - INSTRUCCIONES DE MONTAJE

7



RONDELLA Ø8x14mm
WASHER Ø8x14mm
RONDELLE Ø8x14mm
SCHEIBE Ø8x14mm
ARANDELA Ø8x14mm

Q.TY n.1

8



RONDELLA Ø8mm
WASHER Ø8mm
RONDELLE Ø8mm
SCHEIBE Ø8mm
ARANDELA Ø8mm

Q.TY n.1

9



DISTANZIALE Ø16x3mm
Foro Ø8,5mm, V089
SPACER
ENTRETROISE
DISTANZSTUECK
DISTANCIADOR

Q.TY n.2

10



DADO A.B. M8
FLANGIATO
BOLT M8
ECROU M8
MUTTER M8
TUERCA M8

Q.TY n.3

11

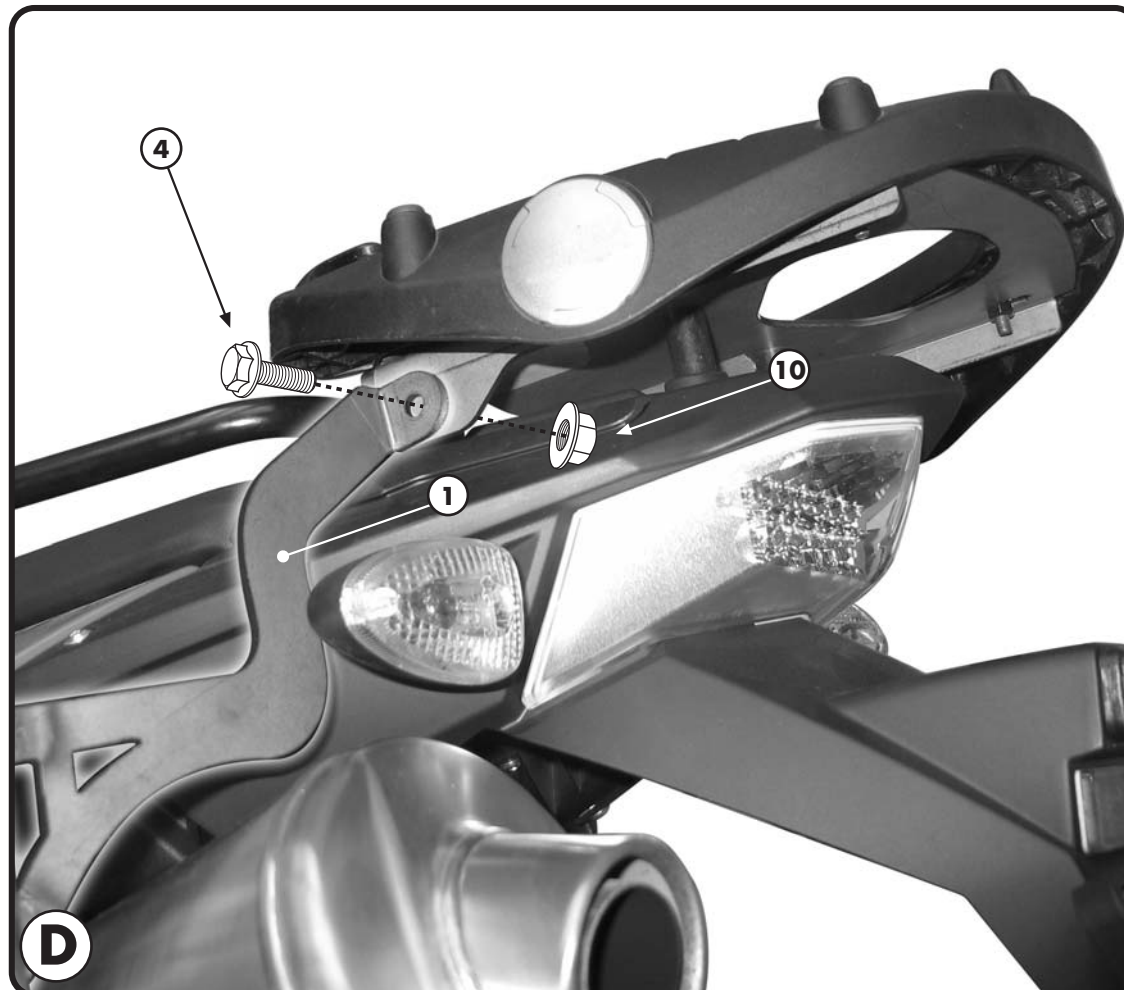


DADO M8
BOLT M8
ECROU M8
MUTTER M8
TUERCA M8

Q.TY n.1



Lato Sinistro
Left Side
Côté gauche
Linke Seite
Lado izquierdo

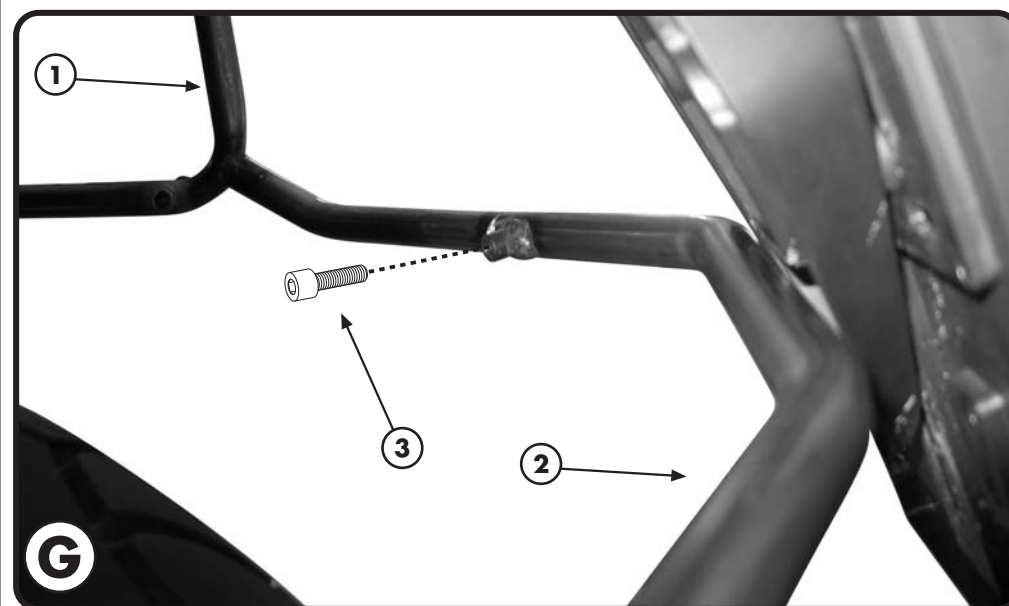
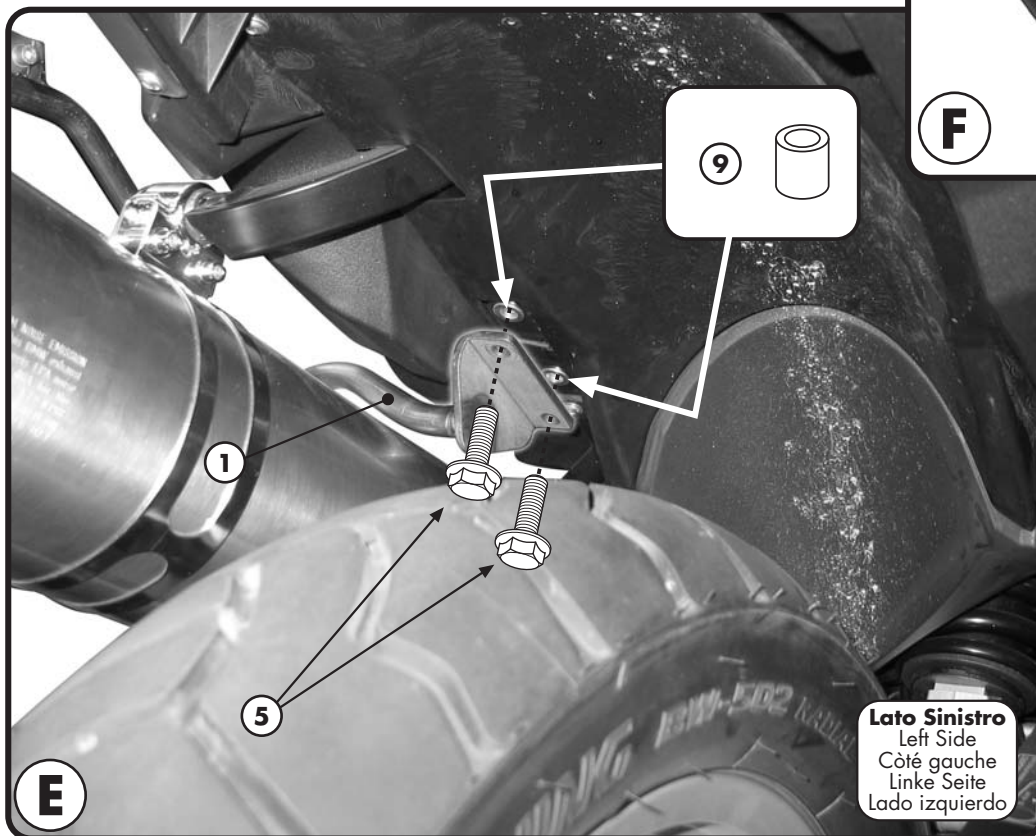
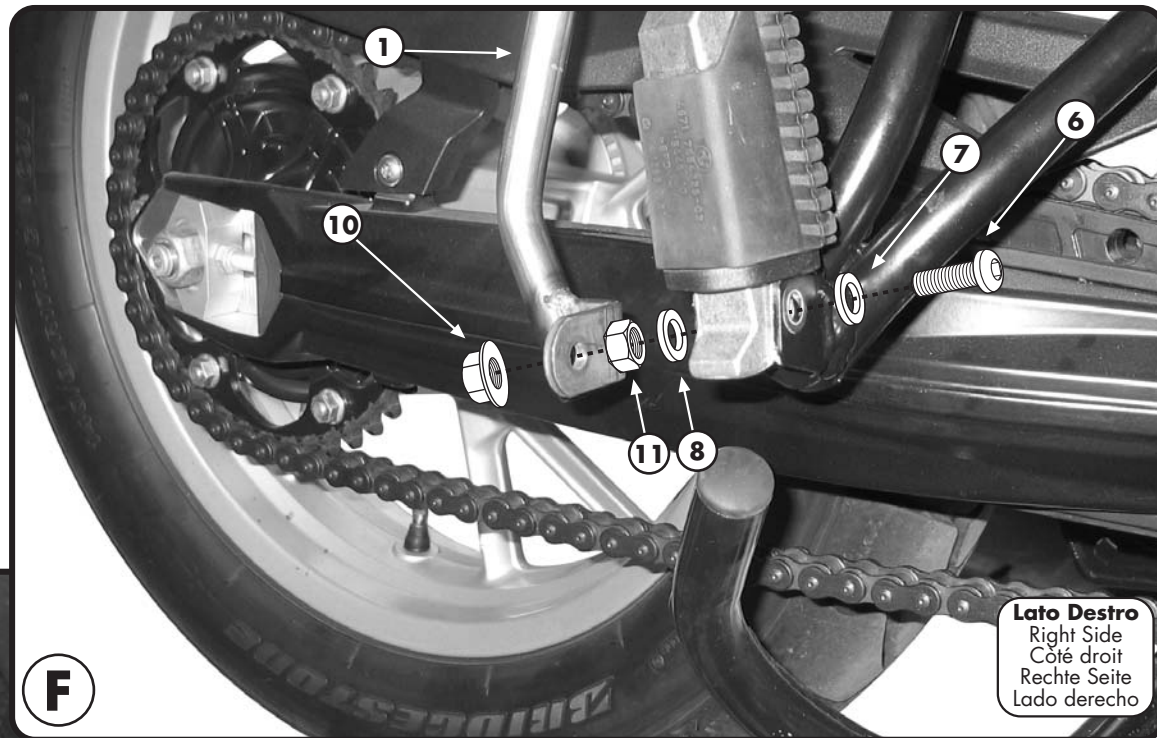


PL690 - KL690

PORTAVALIGIE LATERALE SPECIFICO - SPECIFIC TUBULAR SIDE-CASE HOLDER
PORTE-VALISES LATÉRAUX SPECIFIQUE - SPEZIFISCHES STAHLROHR-SEITENTRAEGER
PORTA MALETAS LATERALES ESPECIFICO

BMW F650/800GS '08

ISTRUZIONI DI MONTAGGIO - MOUNTING INSTRUCTIONS
INSTRUCTIONS DE MONTAGE - BAUANLEITUNG - INSTRUCCIONES DE MONTAJE



PORTAVALIGIE LATERALE SPECIFICO - SPECIFIC TUBULAR SIDE-CASE HOLDER
 PORTE-VALISES LATÉRAUX SPECIFIQUE - SPEZIFISCHES STAHLROHR-SEITENTRÄGER
 PORTA MALETAS LATERALES ESPECIFICO

BMW F650/800GS '08

ISTRUZIONI DI MONTAGGIO - MOUNTING INSTRUCTIONS
 INSTRUCTIONS DE MONTAGE - BAUANLEITUNG - INSTRUCCIONES DE MONTAJE

I ISTRUZIONI DI MONTAGGIO

1. SEGUIRE I PASSI DI MONTAGGIO DI RIFERIMENTO DELLE FOTOGRAFIE A e B;
2. PER POSIZIONARE IL PORTAVALIGIE LATERALE PARTE SINISTRA SI CONSIGLIA DI ESEGUIRE LA MANOVRA ILLUSTRATA IN FOTOGRAFIA C;
3. MONTARE IL PORTAVALIGIE LATERALE COME ILLUSTRATO NELLE IMMAGINI D, E, F E G;
4. ULTIMARE IL MONTAGGIO VERIFICANDO CHE TUTTE LE VITI SIANO SERRATE BENE (VITI M6=9,6Nm - VITI M8=23Nm).

GB MOUNTING INSTRUCTIONS

1. THIS KIT IS DESIGN TO WORK IN CONJUNCTION WITH THE E194 TOP CASE HARDWARE AND WILL INSTALL INTO POSITION AS SHOWN IN PICTURES A & B.
2. IN ORDER TO LOCATE THE LEFT SIDE (ITEM 1) PROPERLY, WE SUGGEST THAT YOU ANGLE THE TUBULAR SIDE HOLDER INTO POSITION AS SHOWN IN PICTURE C AND ROTATE THE UNIT CLOCKWISE UNTIL THE UPPER REAR MOUNTING TAB CAN BE INSTALLED AS SHOWN IN PICTURE D.
3. INSTALL THE FORWARD TAB OF THE LEFT SIDE TUBULAR HOLDER AS SHOWN IN PICTURE E.
4. THE UPPER REAR RIGHT TAB WILL ATTACH ON THE RIGHT SIDE SIMILAR TO WHAT IS SHOWN IN PICTURE D.
5. INSTALL THE FORWARD TAB OF THE RIGHT SIDE TUBULAR HOLDER AS SHOWN IN PICTURE F.
6. POSITION THE BRIDGE SUPPORT (ITEM 2) AND INSTALL AS SHOWN IN PICTURE G.
7. MAKE SURE THAT ALL THE NUTS AND BOLTS ARE TIGHTEN APPROPRIATELY (BOLTS M6=9.6NM - BOLTS M8=23NM).

F INSTRUCTIONS DE MONTAGE

1. SUIVRE LES PHASES DU MONTAGE EN SE REFERANT AUX PHOTOS A ET B;
2. POUR POSITIONNER LE SUPPORT-VALISE LATERAL GAUCHE NOUS CONSEILLONS DE PROCEDER COMME ILLUSTRE EN PHOTO C;
3. MONTER LES SUPPORT-VALISES LATÉRAUX COMME INDIQUE EN PHOTOS D, E, F ET G;
4. TERMINER LE MONTAGE EN CONTROLANT LE BON SERRAGE DE TOUTES LES VIS (VIS M6=9,6Nm - VIS M8=23Nm).

D BAUANLEITUNG

1. FOLGEN SIE DER MONTAGE WIE IN DEN BILDERN A, UND B GEZEIGT;
2. FÜR DIE MONTAGE DER LINKEN SEITE DES SEITENKOFFER-TRÄGERS FOLGEN SIE BITTE DEN HINWEISEN VOM BILD C;
3. MONTIEREN SIE DEN SEITENKOFFER-TRÄGER WIE IN DEN BILDERN, D, E, F UND G GEZEIGT;
4. ZULETZT ÜBERPRÜFEN SIE, DASS ALLE SCHRAUBEN (SCHRAUBEN M6=9,6NM - SCHRAUBEN M8=23NM) FESTGEZOGEN WURDEN.

ES

INSTRUCCIONES DE MONTAJE

1. EFECTUAR EL MONTAJE COMO SE MUESTRA EN LAS IMÁGENES A Y B;
2. PARA COLOCAR EL PORTAMALETAS LATERAL LADO IZQUIERDO, SE ACONSEJA EFECTUAR LA MANIOBRA COMO MUESTRA LA IMAGEN C;
3. ANCLAR EL PORTAMALETAS LATÉRAL COMO SE MUESTRA EN LAS IMÁGENES D, E, F Y G;
4. TERMINAR EL MONTAJE COMPROBANDO QUE TODOS LOS TORNILLOS ESTÉN BIÉN APRETADOS (TORNILLOS M6=9,6NM - TORNILLOS M8=23NM).