

# TN7406B – KN7406B

PARAMOTORE SPECIFICO – SPECIFIC ENGINE GUARD – PARE-CARTER SPECIFIQUE – SPEZIFISCHER STURZBÜGEL – DEFENSA DE MOTOR ESPECÍFICA – PROTETOR DE MOTOR

**DUCATI MULTISTRADA 950 (2017/2019) – DUCATI MULTISTRADA 1200 (2015/2019)**

**DUCATI MULTISTRADA 1260 (2018/2019)**

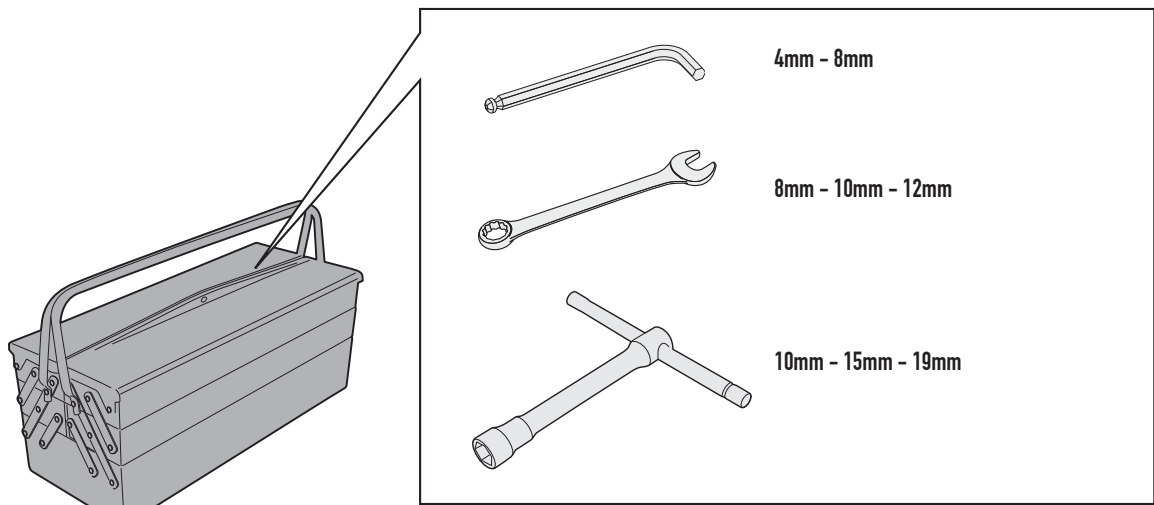
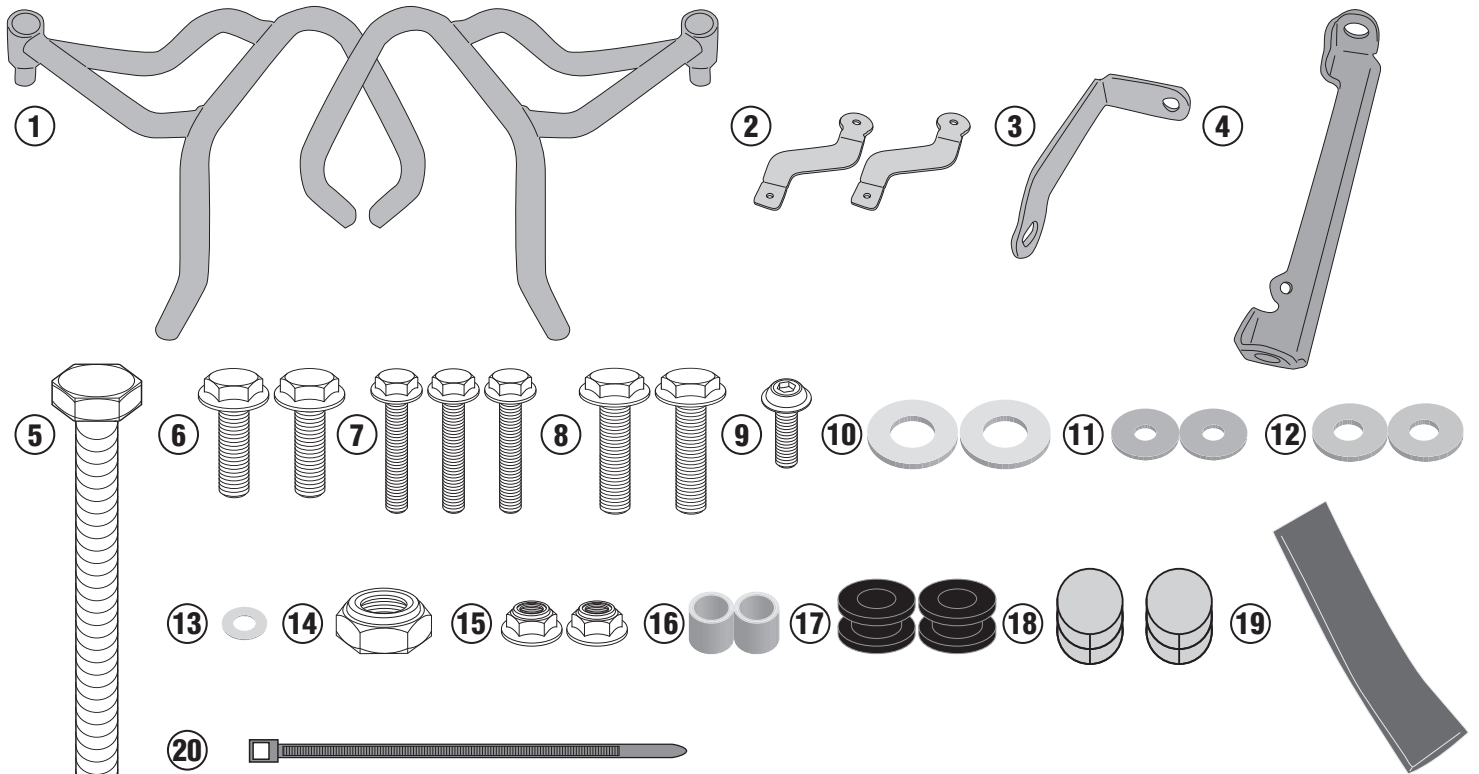
| N° | Descrizione  | Caratteristiche   | Codice                   | Quantità       |
|----|--|---|--------------------------|----------------|
| 1  | Paramotore - Engine Guard<br>Pare-carter - Sturzbuegel<br>Defensa De Moto - Protetor de Motor                      | -   | TN7406BDXS<br>TN7406BSXS | 2 (Right;Left) |
| 2  | Supporto laterale - Lateral support - Support latéral -<br>Soporte lateral - Untere Halterung - Suporte lateral    | -   | GL2935DXV<br>GL2935SXV   | 2 (Right;Left) |
| 3  | Supporto inferiore - Lower support - Support inférieur -<br>Soporte inferior - Untere Halterung - Suporte inferior | -   | GL4054V                  | 1              |
| 4  | Ponte - Bridge - Pont<br>Brücke - Puente - Ponte   | -   | GL4053V                  | 1              |
| 5  | Vite - Screw<br>Vis - Schraube<br>Tornillo - Parafuso  | TE M12x350 Passo 1,75mm   | 12350TE                  | 1              |
| 6  | Vite - Screw<br>Vis - Schraube<br>Tornillo - Parafuso  | TECF M8x20  | 820TECF                  | 2              |
| 7  | Vite - Screw<br>Vis - Schraube<br>Tornillo - Parafuso  | TECF M6x30  | 630TECF                  | 3              |
| 8  | Vite - Screw<br>Vis - Schraube<br>Tornillo - Parafuso  | TECF M8x30  | 830TECF                  | 2              |
| 9  | Vite - Screw<br>Vis - Schraube<br>Tornillo - Parafuso  | TBEIFN M6x14  | 614TBEIFN                | 1              |
| 10 | Rondella - Washer<br>Rondelle - Scheibe<br>Arandela - Arruela  | Ø12   | 12RON                    | 2              |
| 11 | Rondella - Washer<br>Rondelle - Scheibe<br>Arandela - Arruela  | Ø6x18 Sp.1,5mm  | 618RON                   | 2              |
| 12 | Rondella - Washer<br>Rondelle - Scheibe<br>Arandela - Arruela  | Ø8  | 820RON                   | 2              |
| 13 | Rondella - Washer<br>Rondelle - Scheibe<br>Arandela - Arruela  | Ø6  | 6RON                     | 1              |
| 14 | Dado - Bolt - Erou<br>Mutter - Tuerca - Porca  | Dado Autobloccante Basso M12                                    | 12DADIAR                 | 1              |
| 15 | Dado - Bolt - Erou<br>Mutter - Tuerca - Porca  | Dado Autobloccante Metalblock<br>Flangiato Ribassato M6 (H 6mm) | 6DADIAFL                 | 2              |
| 16 | Distanziale - Spacer<br>Entretoise - Distanzstueck<br>Distanciador - Espaçador                                     | Ø10x9,8 Foro 8,2mm  | C10L9,8F8,2T             | 2              |
| 17 | Gommino - Fairleader<br>Chaumard - Gummi<br>Goma - Borracha  | -   | Z268-2                   | 2              |
| 18 | Tappo - Cap<br>Fiche - Stecker<br>Enchufe - Capa   | Ø32   | 32TAPBA                  | 2              |

# TN7406B - KN7406B

PARAMOTORE SPECIFICO - SPECIFIC ENGINE GUARD - PARE-CARTER SPECIFIQUE - SPEZIFISCHER STURZBÜGEL - DEFENSA DE MOTOR ESPECÍFICA - PROTETOR DE MOTOR  
**DUCATI MULTISTRADA 950 (2017/2019) - DUCATI MULTISTRADA 1200 (2015/2019)**

**DUCATI MULTISTRADA 1260 (2018/2019)**

| N° | Descrizione   | Caratteristiche | Codice | Quantità |
|----|---|-----------------|--------|----------|
| 19 | Gomma Protettiva - Protective Rubber Pads<br>Protection En Caoutchouc - Schutzgummi<br>Goma Protectora - Borracha de proteção     | -               | Z2352  | 1        |
| 20 | Fascetta - Clamp<br>Pince - Klemme<br>Abrazadera - Braçadeira   | -               | Z2413  | 1        |
| 21 | Componenti Originali - Original Parts<br>Parties Originales - Original Bauteile<br>Componentes Originales - Componentes Originais | -               | -      | -        |



# TN7406B - KN7406B

PARAMOTORE SPECIFICO - SPECIFIC ENGINE GUARD - PARE-CARTER SPECIFIQUE - SPEZIFISCHER STURZBÜGEL - DEFENSA DE MOTOR ESPECÍFICA - PROTETOR DE MOTOR

**DUCATI MULTISTRADA 950 (2017/2019) - DUCATI MULTISTRADA 1200 (2015/2019)**

**DUCATI MULTISTRADA 1260 (2018/2019)**



## ATTENTION:

RIMUOVERE LA PARTE DIETRO DEL PARAFANGO ORIGINALE.

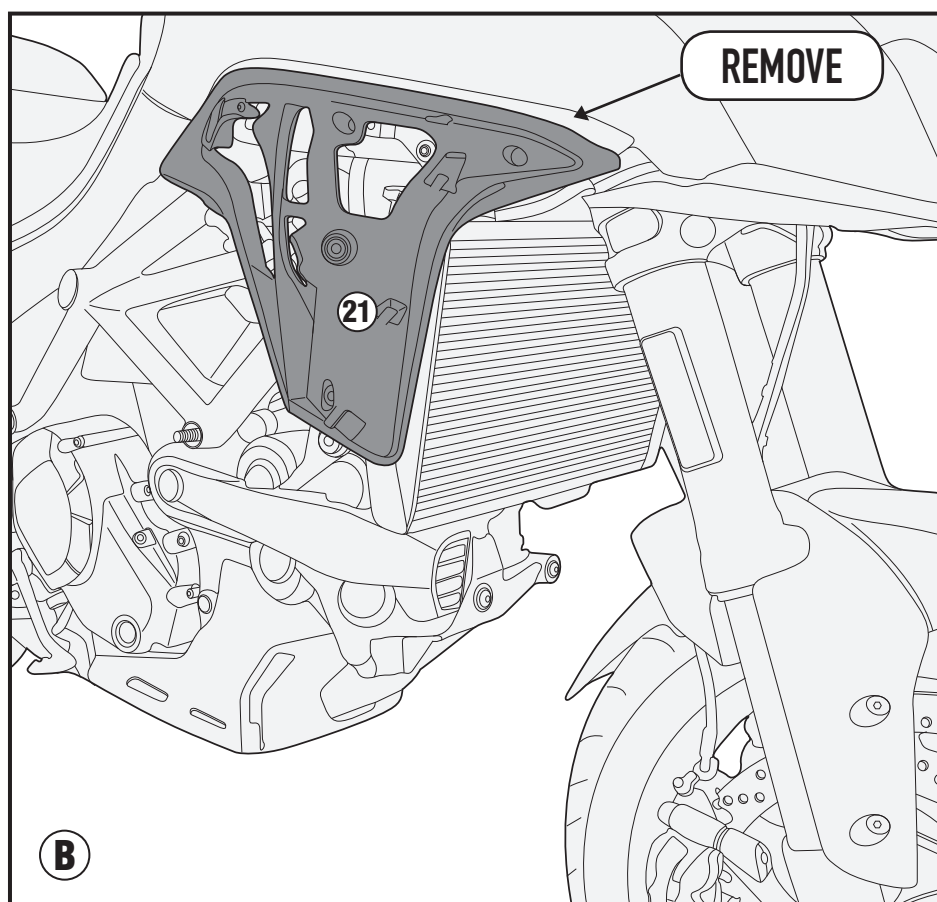
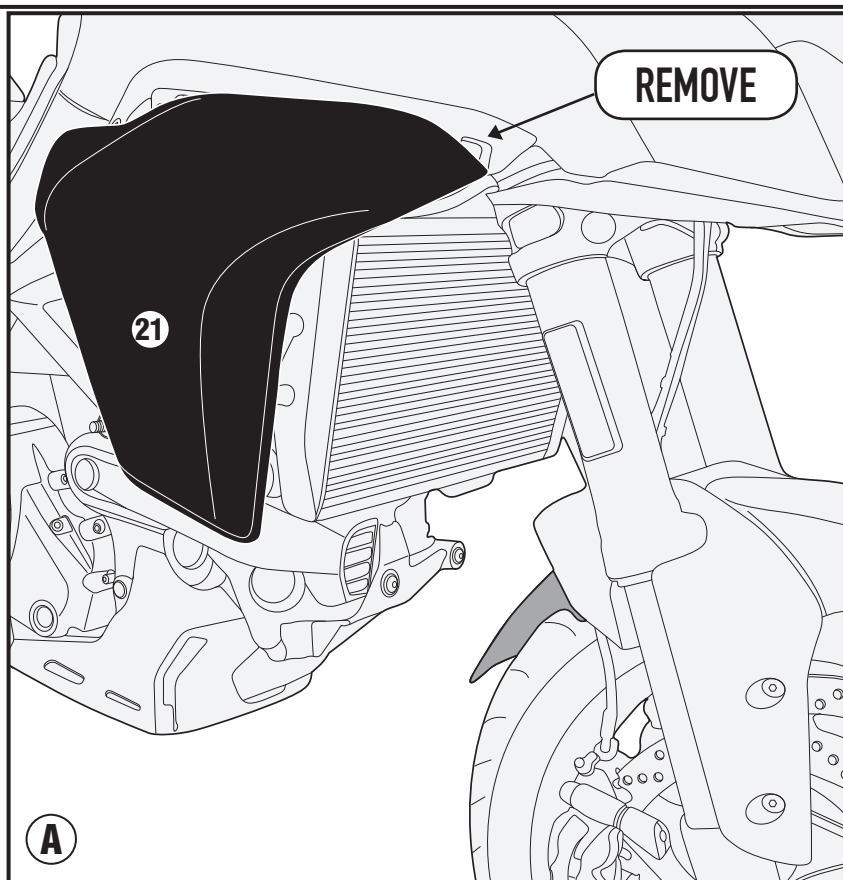
REMOVE THE REAR SECTION OF THE ORIGINAL MUDGUARD.

RETIREZ LA PARTIE ARRIÈRE DU GARDE-BOUE D'ORIGINE.

RETIRE LA PARTE POSTERIOR DEL GUARDABARROS ORIGINAL.

ENTFERNEN SIE DEN HINTEREN TEIL DES ORIGINAL-KETTENSCHUTZ.

REMOVER A PARTE TRASEIRA DO PARA-LAMA ORIGINAL

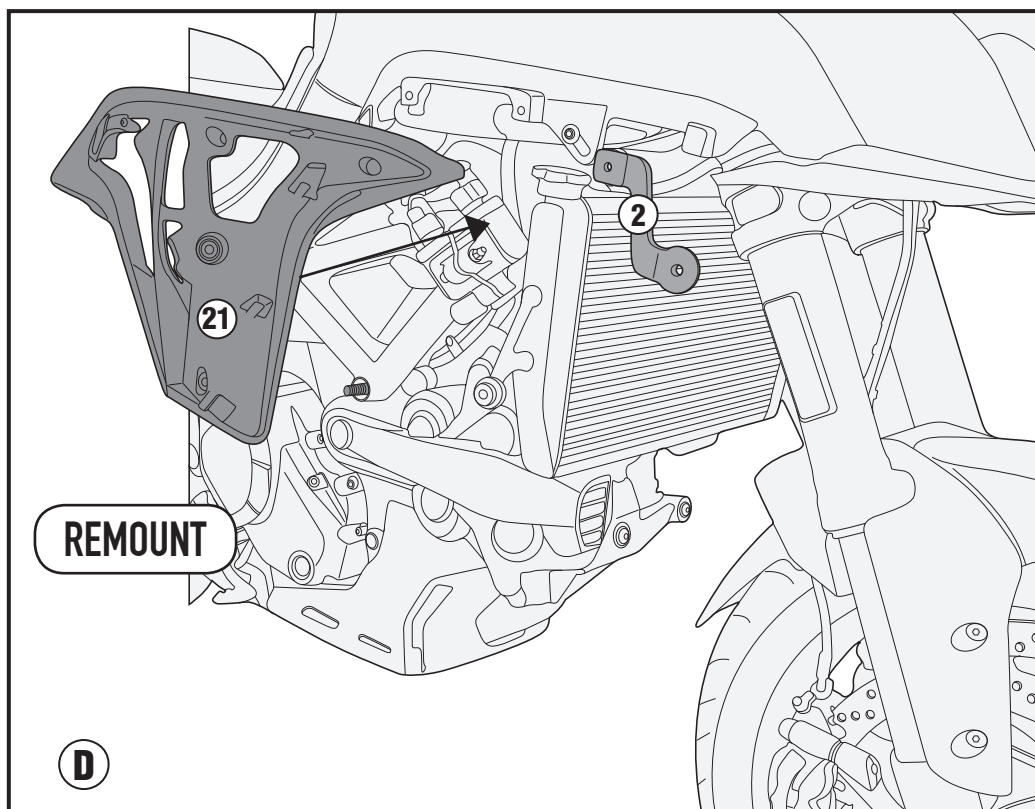
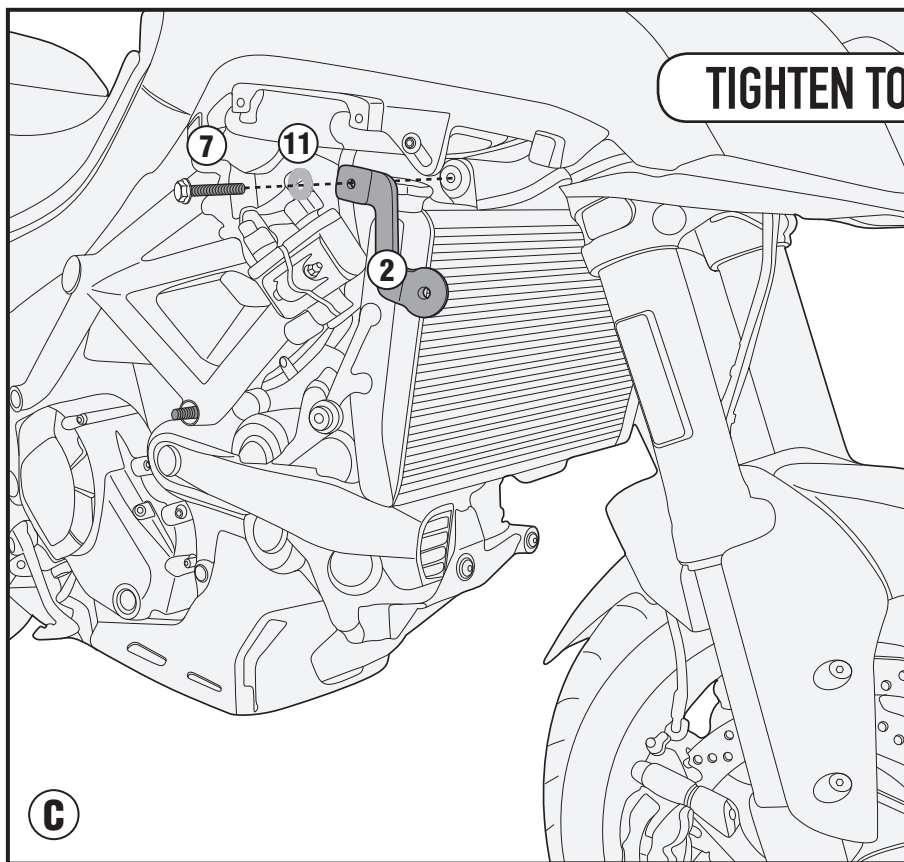


# TN7406B - KN7406B

PARAMOTORE SPECIFICO - SPECIFIC ENGINE GUARD - PARE-CARTER SPECIFIQUE - SPEZIFISCHER STURZBÜGEL - DEFENSA DE MOTOR ESPECÍFICA - PROTETOR DE MOTOR

DUCATI MULTISTRADA 950 (2017/2019) - DUCATI MULTISTRADA 1200 (2015/2019)

DUCATI MULTISTRADA 1260 (2018/2019)



# TN7406B - KN7406B

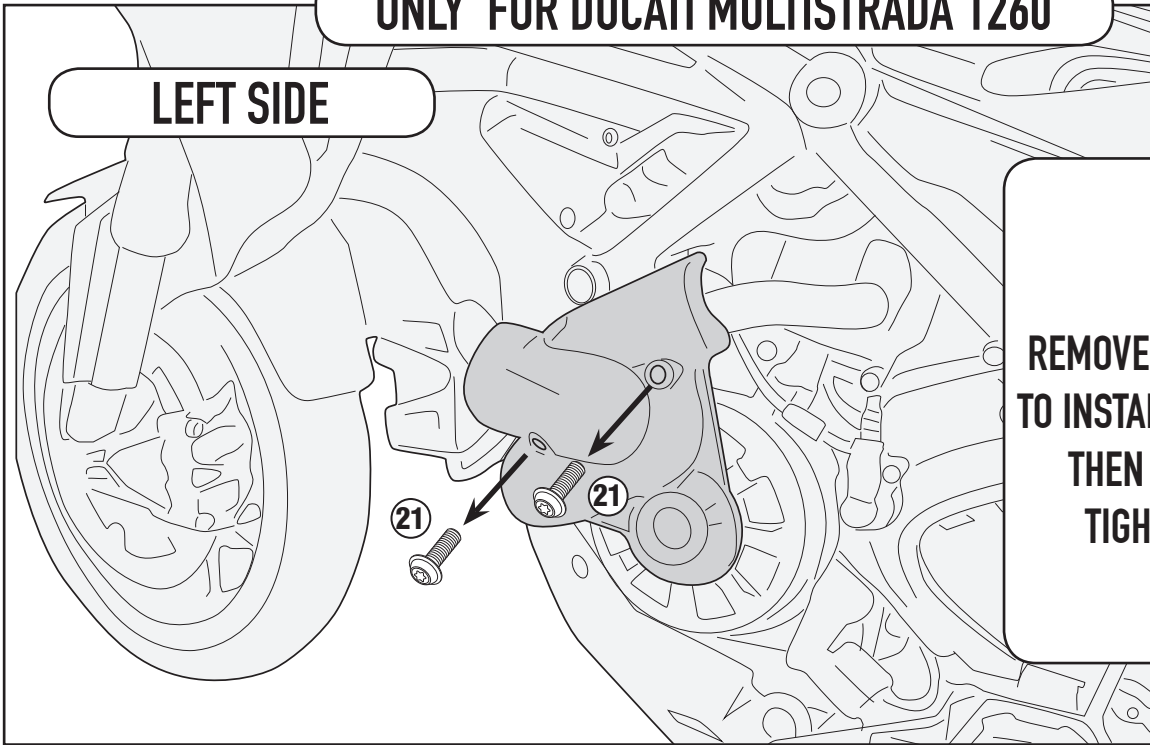
PARAMOTORE SPECIFICO - SPECIFIC ENGINE GUARD - PARE-CARTER SPECIFIQUE - SPEZIFISCHER STURZBÜGEL - DEFENSA DE MOTOR ESPECÍFICA - PROTETOR DE MOTOR

DUCATI MULTISTRADA 950 (2017/2019) - DUCATI MULTISTRADA 1200 (2015/2019)

DUCATI MULTISTRADA 1260 (2018/2019)

**ONLY FOR DUCATI MULTISTRADA 1260**

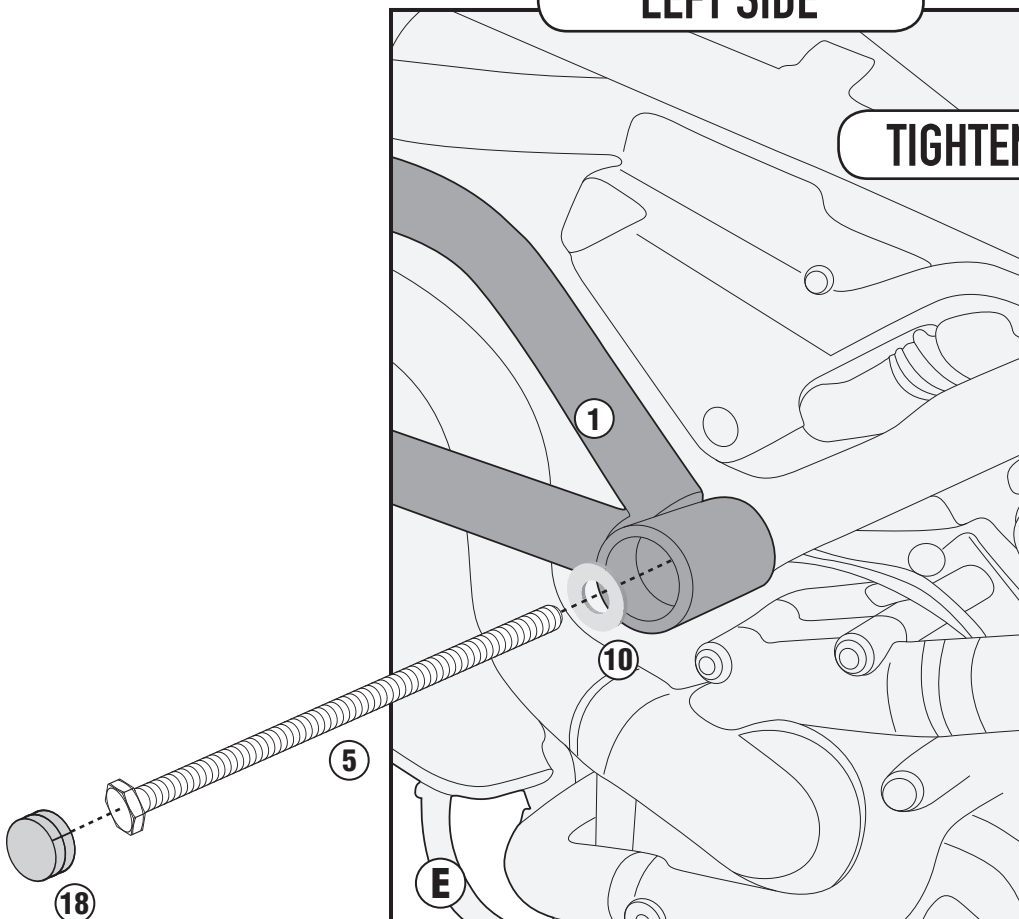
**LEFT SIDE**



**REMOVE SCREWS BEFORE  
TO INSTALL ENGINE GUARD.  
THEN REMOUNT AND  
TIGHTEN SCREWS.**

**LEFT SIDE**

**TIGHTEN TORQUE 84Nm**



# TN7406B - KN7406B

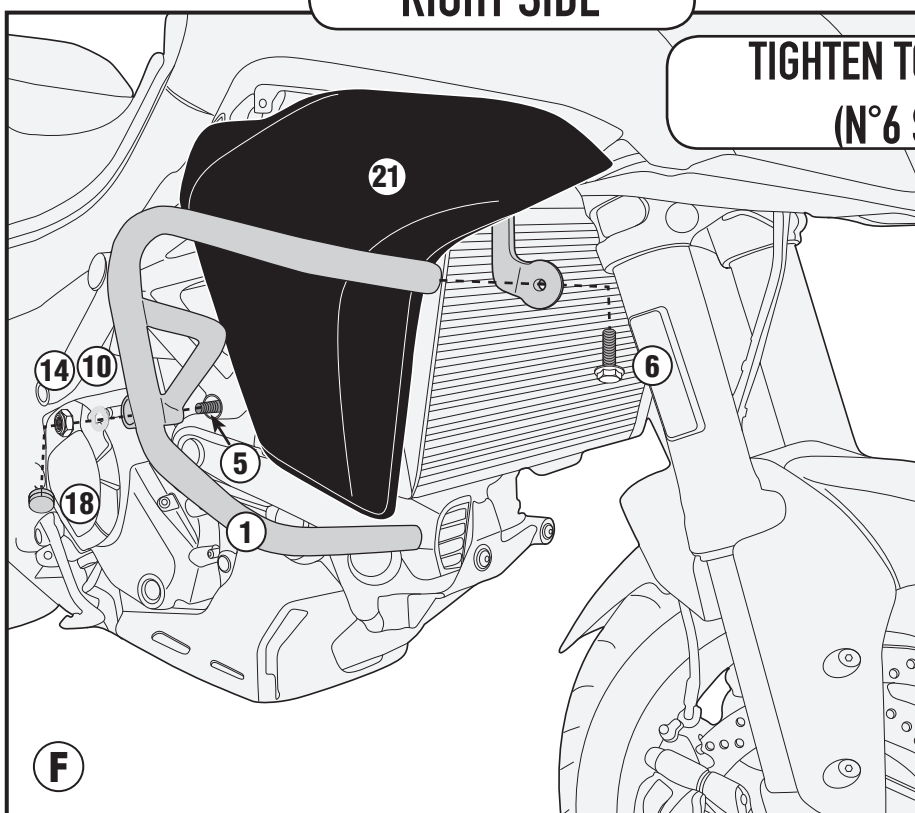
PARAMOTORE SPECIFICO - SPECIFIC ENGINE GUARD - PARE-CARTER SPECIFIQUE - SPEZIFISCHER STURZBÜGEL - DEFENSA DE MOTOR ESPECÍFICA - PROTETOR DE MOTOR

DUCATI MULTISTRADA 950 (2017/2019) - DUCATI MULTISTRADA 1200 (2015/2019)

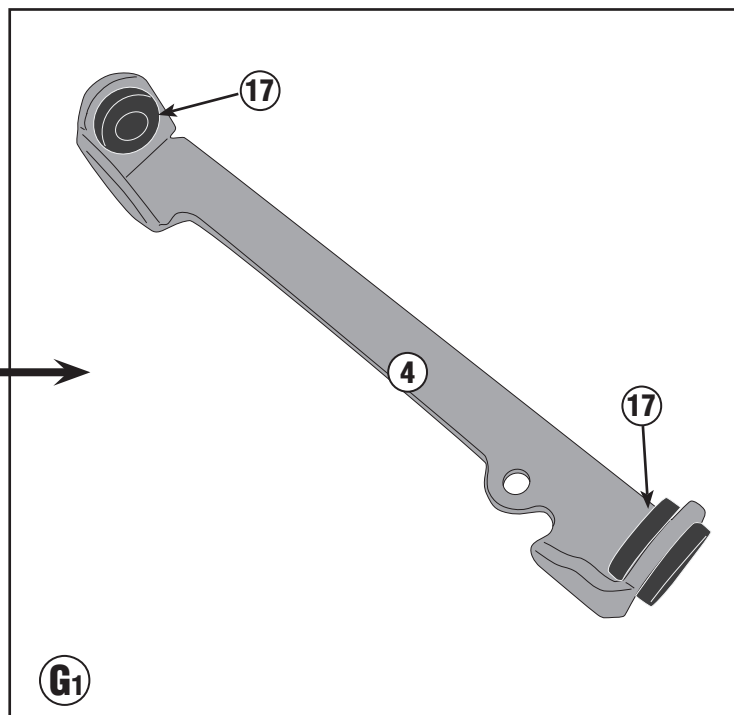
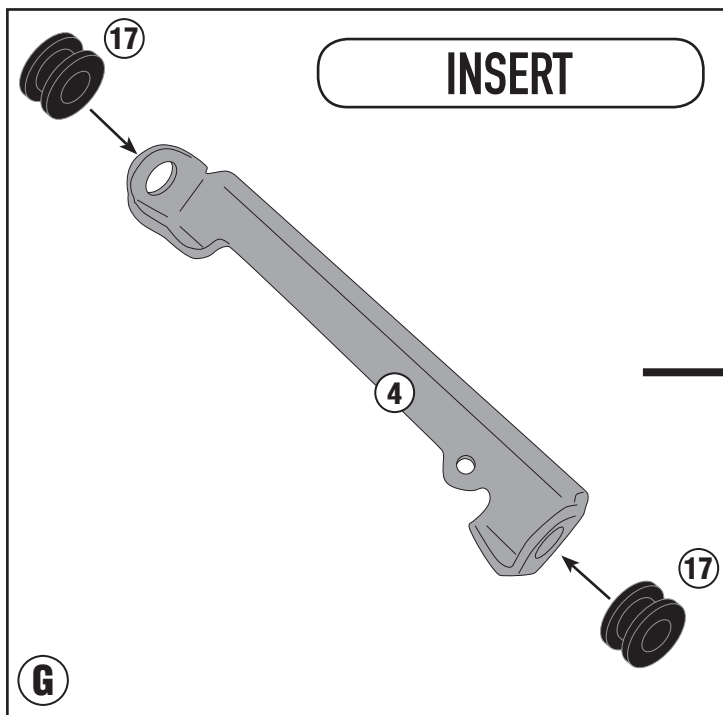
DUCATI MULTISTRADA 1260 (2018/2019)

RIGHT SIDE

TIGHTEN TORQUE 23Nm  
(N°6 SCREW)



INSERT

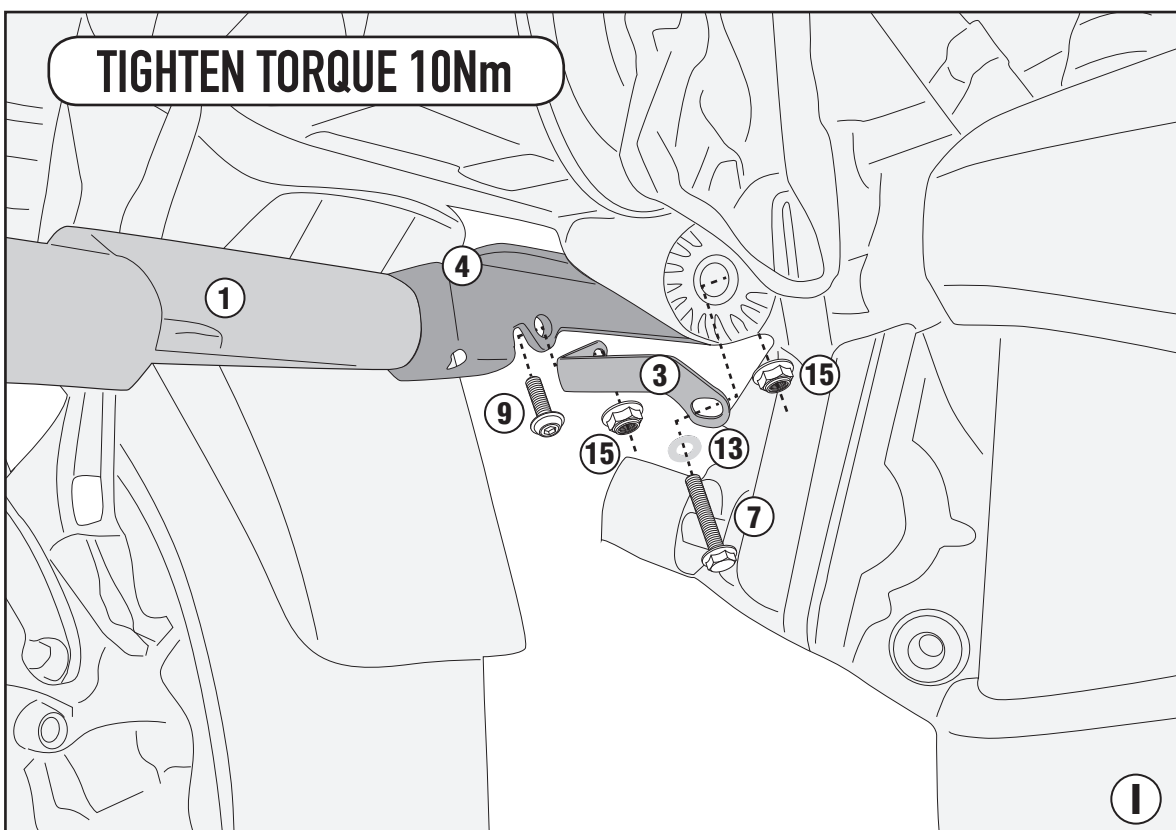
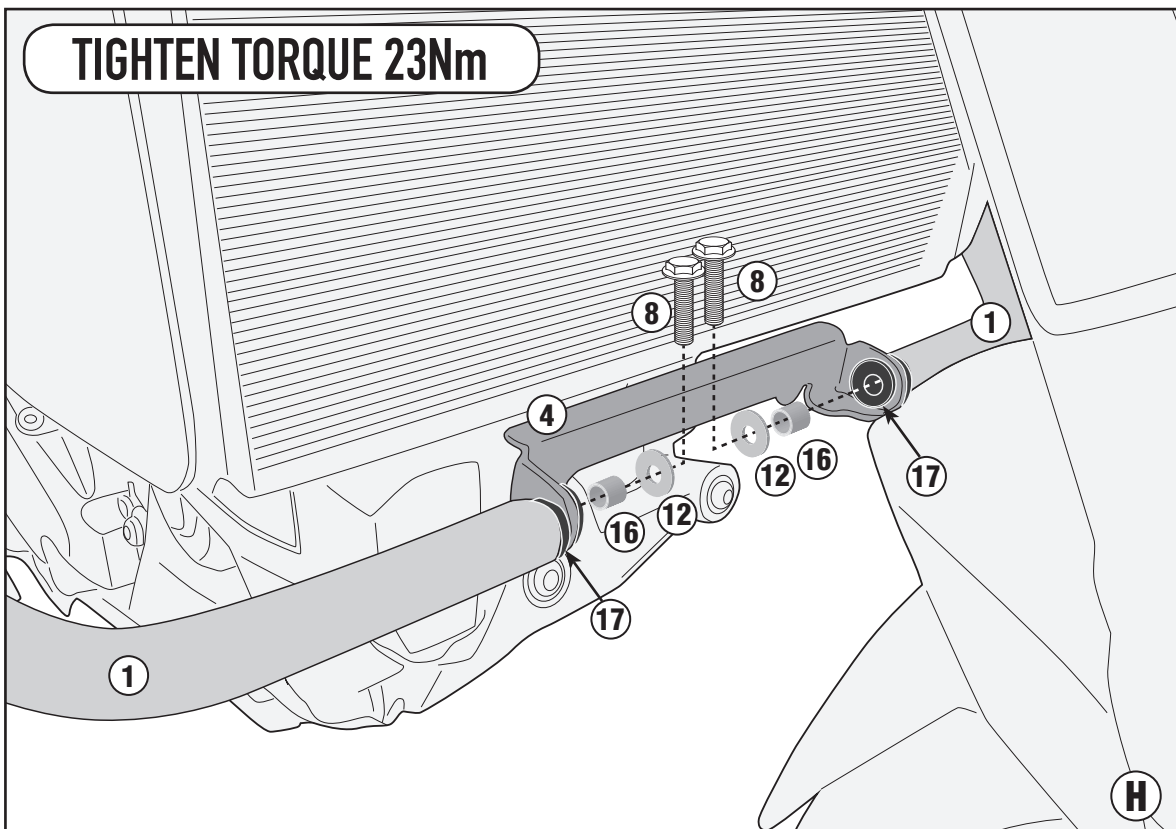


# TN7406B - KN7406B

PARAMOTORE SPECIFICO - SPECIFIC ENGINE GUARD - PARE-CARTER SPECIFIQUE - SPEZIFISCHER STURZBÜGEL - DEFENSA DE MOTOR ESPECÍFICA - PROTETOR DE MOTOR

DUCATI MULTISTRADA 950 (2017/2019) - DUCATI MULTISTRADA 1200 (2015/2019)

DUCATI MULTISTRADA 1260 (2018/2019)



# TN7406B - KN7406B

PARAMOTORE SPECIFICO - SPECIFIC ENGINE GUARD - PARE-CARTER SPECIFIQUE - SPEZIFISCHER STURZBÜGEL - DEFENSA DE MOTOR ESPECÍFICA - PROTETOR DE MOTOR

DUCATI MULTISTRADA 950 (2017/2019) - DUCATI MULTISTRADA 1200 (2015/2019)

DUCATI MULTISTRADA 1260 (2018/2019)

